

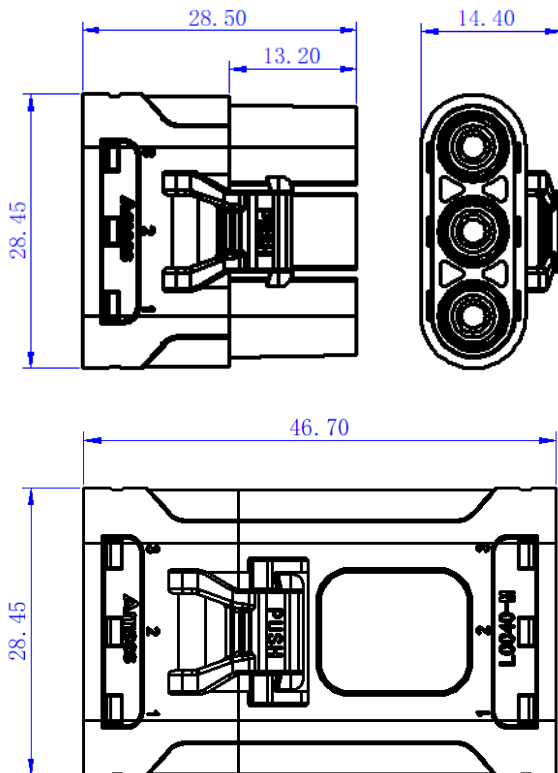
1. Product Model : LCC40-F

P/N	Part Description	Sketch
97011-F.R	LCC40-F Plastic Housing Assembly, Red, Rear Cover , Orange	
97011-F.B	LCC40-F Plastic Housing Assembly, Black Rear Cover , Orange	
97011-F.O	LCC40-F Plastic Housing Assembly , Orange, Rear Cover , Orange	
91020-F.S	LC40-F Copper Terminal Assembly	

2. Product Application Description

As a model of wire-harness joint connector in LC40 connector series, LCC40 apply in the field which require quite smaller space for connection between Li-battery、controller and motor mainly.

3. Product stacking diagram



4. Technical Parameters

Electric Characteristic	
Current Rating	35A MAX(10AWG 0.08mm/6.0mm ² 0.31mm ^Δ ≤30K)
	30A MAX(12AWG 0.08mm/4.0mm ² 0.31mm ^Δ ≤30K)
	45A MAX(10AWG 0.08mm/6.0mm ² 0.31mm ^Δ ≤40K)
	35A MAX(12AWG 0.08mm/4.0mm ² 0.31mm ^Δ ≤40K)
	52A MAX(10AWG 0.08mm/6.0mm ² 0.31mm ^Δ ≤55K)
	42A MAX(12AWG 0.08mm/4.0mm ² 0.31mm ^Δ ≤55K)
	67A MAX(10AWG 0.08mm/6.0mm ² 0.31mm ^Δ ≤85K)
50A MAX(12AWG 0.08mm/4.0mm ² 0.31mm ^Δ ≤85K)	
Voltage	600V DC
Insulation Resistance	≥2000MΩ
Contact Resistance	≤0.6mΩ
Mechanical Characteristic	
Plug Life	100 次
FG Insertion Force	≤9.0kgf
FG Extraction Force	≥10kgf
Terminal Pushing Out Froce	≥12kgf
Salt Spray	Main brass parts 48h , Jaws 24h
Environment Characteristic	
Work Temperature	-40°C to 120°C
Materials Flame Level	UL94 V-0 (Minimum Thickness 0.8mm)
Hot Wire Level	GWFI 850°C (Minimum Thickness 0.8mm)
Environmental	RoHS2.0
Material	
Outside Housing	PBT GF30, Color: Red\Black\Orange
Main Terminal	Copper--T2, Plating: Sliver
Usage	
Joint Method	Rivet Joint
Joint Reference	Refer to <Six Side Riveting Process for LC series>

5. Transport and storage

- a) Product should be store in the clean and dry enviroment, far away from acid、 alkali and the other corrosive gases.
- b) Storage enviroment: Temperature -10°C~40°C , Relative Humidity : ≤80%
- c) Product have to far away from light source (silver plating part), sealed packaging to store. Mustn't exposure to air for a long time or touch with sulfides, No bare hands touching.
- d)Apply to normal transport, should be avoiding collision、 violent vibration、 raining and snowing onto product、 flooding ect.



During connector using, do not exceed the rated current and voltage

Prepared By :



Please confirm the environment

Auditor :



Use carefully

Quality Checker :



Do not use when external force is applied to the connector

Approver :